

# CASTING PRODUCTS

GERMAN ENGINEERING

ENGLISH



**Dörrenberg**   
Edelstahl

# JOINING FORCES FOR ASSURED SUCCESS

## Your partner for tailored solutions

With Dörrenberg, you are placing your faith in over 150 years of competence gained by a globally active partner in a range of specialised areas – Special Steels, Steel Foundry, Casting Products and Coating & Hardening. This concentrated experience provides the foundation for the Dörrenberg Casting Products division and enables us to focus on your specific requirements. We work closely together with you during the planning phase for new products and in the run-up to production, illustrating application-oriented solutions to suit your special needs. Our specialists are right by your side when it comes to realising your products, providing support from the concept and design stage through to installation.

## Fine castings distinguished by flexible variety and the highest quality

Whether in the automotive, mechanical engineering, power plant construction, agricultural or other sectors – we develop your design further and optimise even the most complex castings to meet the highest demands in terms of tolerance, weight, surface, heat resistance or geometry. Consistent quality-assurance processes ensure that every casting meets the demands set by the overall product in this respect. This also encompasses precise selection of the best suppliers, partners with which we have been working together for decades. In addition to optimum results, this also enables us to assure the required availability – particularly with regard to time-critical components.





# CONCENTRATED KNOW-HOW FOR YOUR SECTOR

Our expertise is the sum total of many years of experience and trustworthy activity on behalf of customers all over the world and in the most varied of sectors, ranging from the automotive industry and machinery and plant engineering to sectors which require particularly large or heat-resistant castings manufactured through sand casting or precision casting processes. The requirement profiles of products vary accordingly, and we address these in a flexible manner to achieve optimum results. For example, we are capable of supplying you with components which frequently consist of several individual parts and are manufactured in a single casting with the most diverse materials. This ensures a high degree of design freedom which ultimately saves you both time and money.

Our products range from components weighing only a few grammes up to several tonnes, which are used all over the world in aircraft construction and shipbuilding, design products, power plants and agriculture.





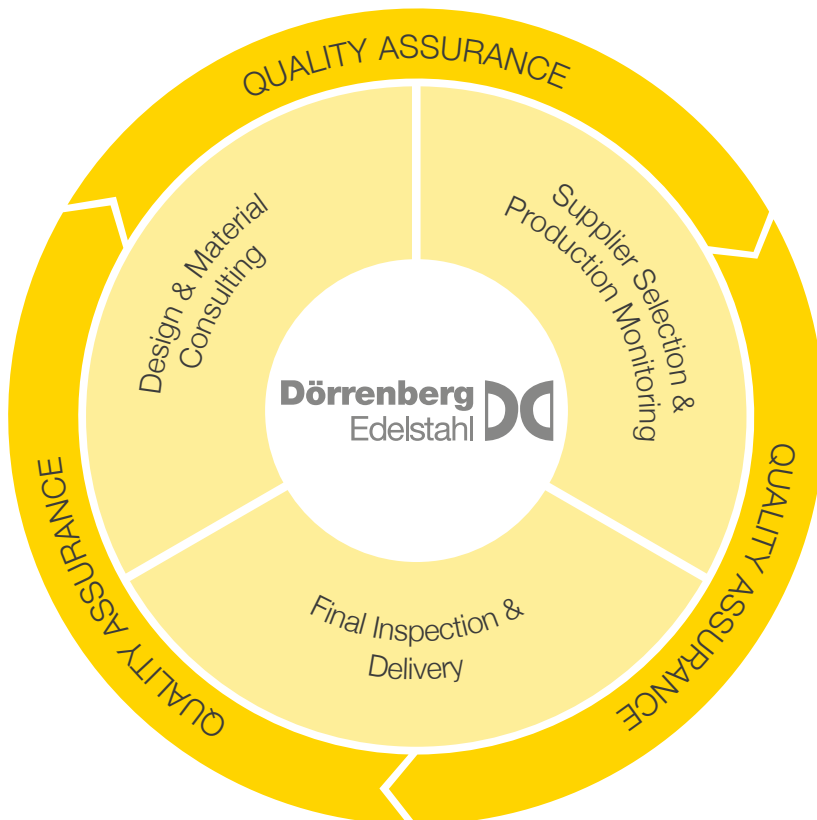
# THE COMPLETE PACKAGE FOR YOUR CASTING SOLUTION

## Broad service spectrum and reliable partners

Professional advice forms the basis of a comprehensive service package in the Casting Products division. Right from the preliminary stages, our experienced personnel process CAD data with which we are provided by focusing on and integrating casting requirements. In addition, we work exclusively with production companies whose know-how and reliability has personally convinced us. Our high quality demands are reflected in the broad number of our partners, allowing us to use the best supplier for your product in every case.

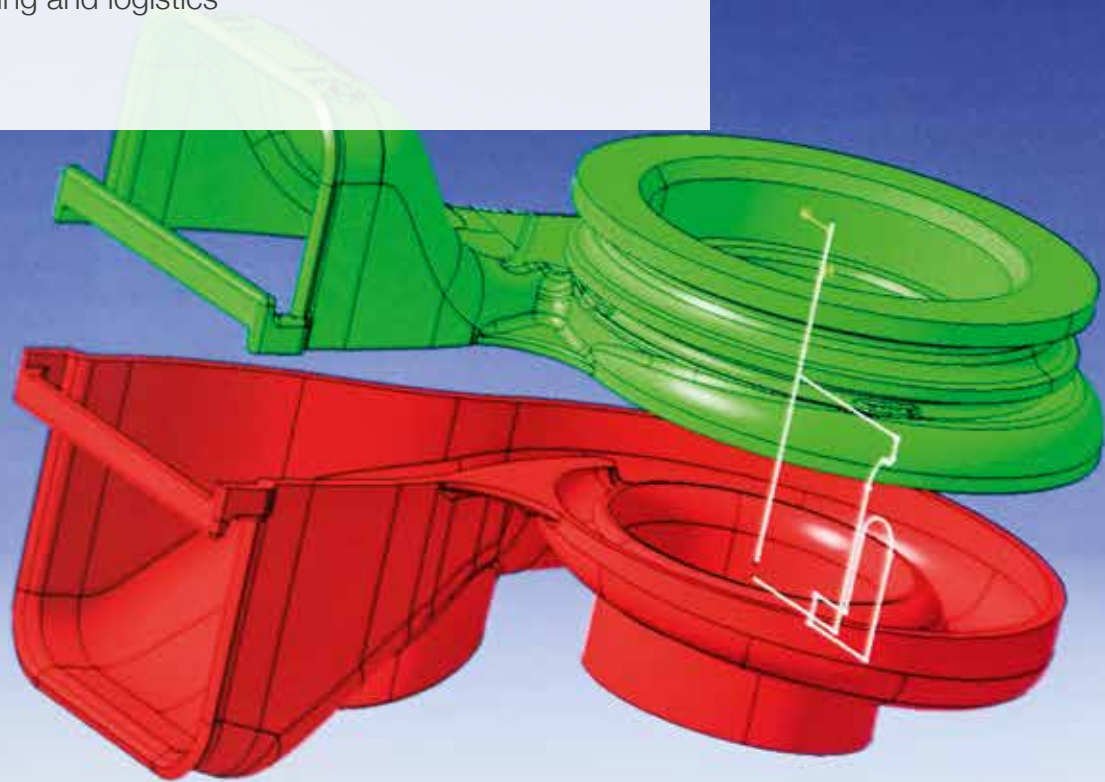
## Certified quality

Our specialists ensure that perfect quality levels are achieved both before and after production through our quality management system, which is certified pursuant to ISO 9001:2008. Our suppliers are also ISO/TS 16949 certified, and we work in every case to these rules. DIN EN ISO 14001/50001 environmental and energy management certificates are self-evident for us.



## Our services

- Cast products in all casting processes
- Development and procurement
- All steel and iron alloys
- Material consulting, design consulting
- CAD data exchange
- Rapid prototyping/rapid tooling
- Machining shop
- Diverse surface treatments
- Quality assurance
- Material analysers
- 3D measuring technology
- Optical metrology
- Warehousing and logistics

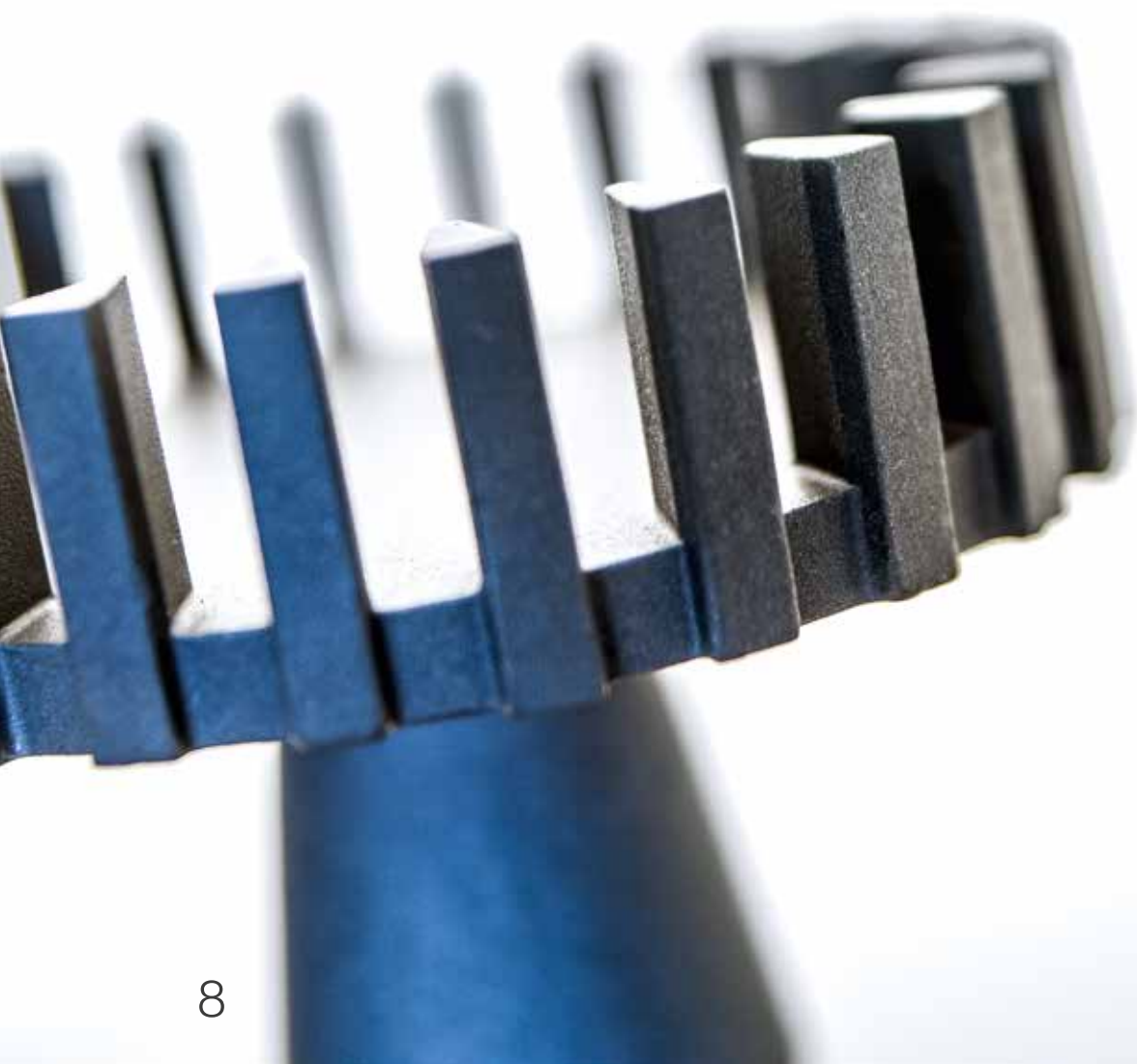




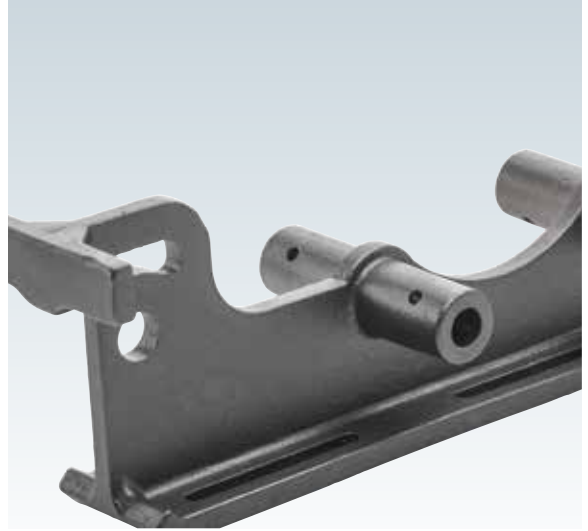
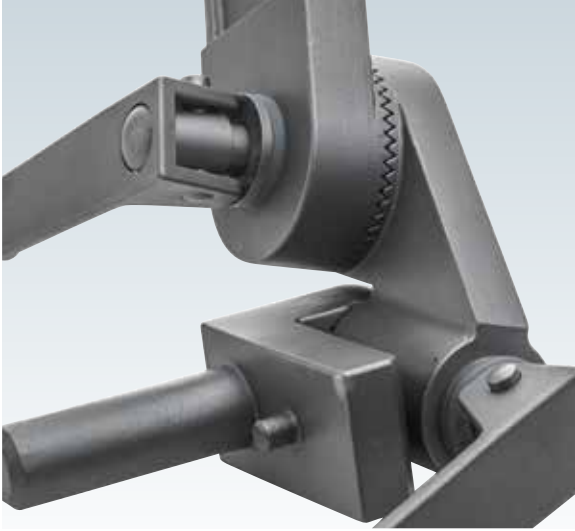
# CASTING IS VARIETY


## **The more varied the options, the greater the variety of results**

You receive competent and detailed advice to determine the appropriate casting process and most suitable material to meet your requirements. This results in components optimised in terms of application engineering requirements and a consistently high level of quality.









# COMPETENCE AND THE CAPACITY TO GIVE YOU THAT COMPETITIVE EDGE

Dörrenberg Edelstahl is based on four cornerstones which provide the foundation for a single successful unit: Special Steels, Steel Foundry, Casting Products and Coating & Hardening. We ensure through our comprehensive service spectrum in every division that all products will reach their destination on time and in a flawless condition. Our modern warehouse management also gives you a decisive advantage.







## Our plants



**Plant Weershagen**  
Weershagener Str. 80  
51674 Wiehl  
Germany



**Plant Dieringhausen**  
Stahlstr. 6  
51645 Gummersbach  
Germany



**Plant Runderoth**  
Hammerweg 7  
51766 Engelskirchen  
Germany



**Plant Runderoth**  
Hammerweg 7  
51766 Engelskirchen  
Germany

**Dörrenberg Edelstahl GmbH**  
Postfach 21 64  
51758 Engelskirchen  
Germany

Tel.: +49 2263 79-0  
Fax (automotive): +49 2263 79-443  
Fax (investment and sand casting): +49 2263 79-444

castingproducts@doerrenberg.de  
www.doerrenberg.de

**Dörrenberg**   
**Edelstahl**